

Scale:	Name: Exploded View Jumbo 42
Date: May 2004	
Drawn by: MD	
HENKELMAN B.V. P.O. box 2117 5202 CC 's-Hertogenbosch Tel. ++31(0)73 - 6213671 Fax ++31(0)73 - 6221318 The Netherlands	A 4 Drawing: Page 1-1 REV. 02
<small>Copyrights explicitly reserved. Multiplication or information to third parties in any form is not permitted without written permission of the owner.</small>	

0041209
0041208
0304470
0304472

0080150
0020300

0304454

0206720(Jumbo 35)
0206730(Jumbo 42)

0305505

0305000

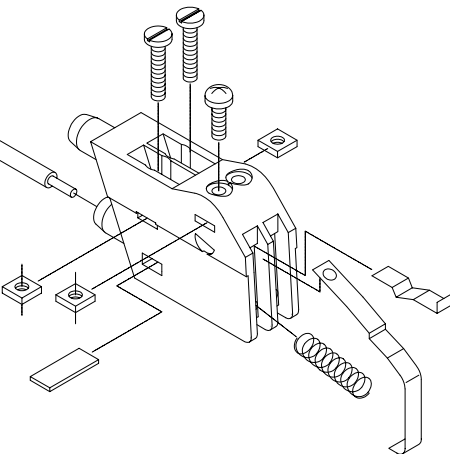
0305015

0041510

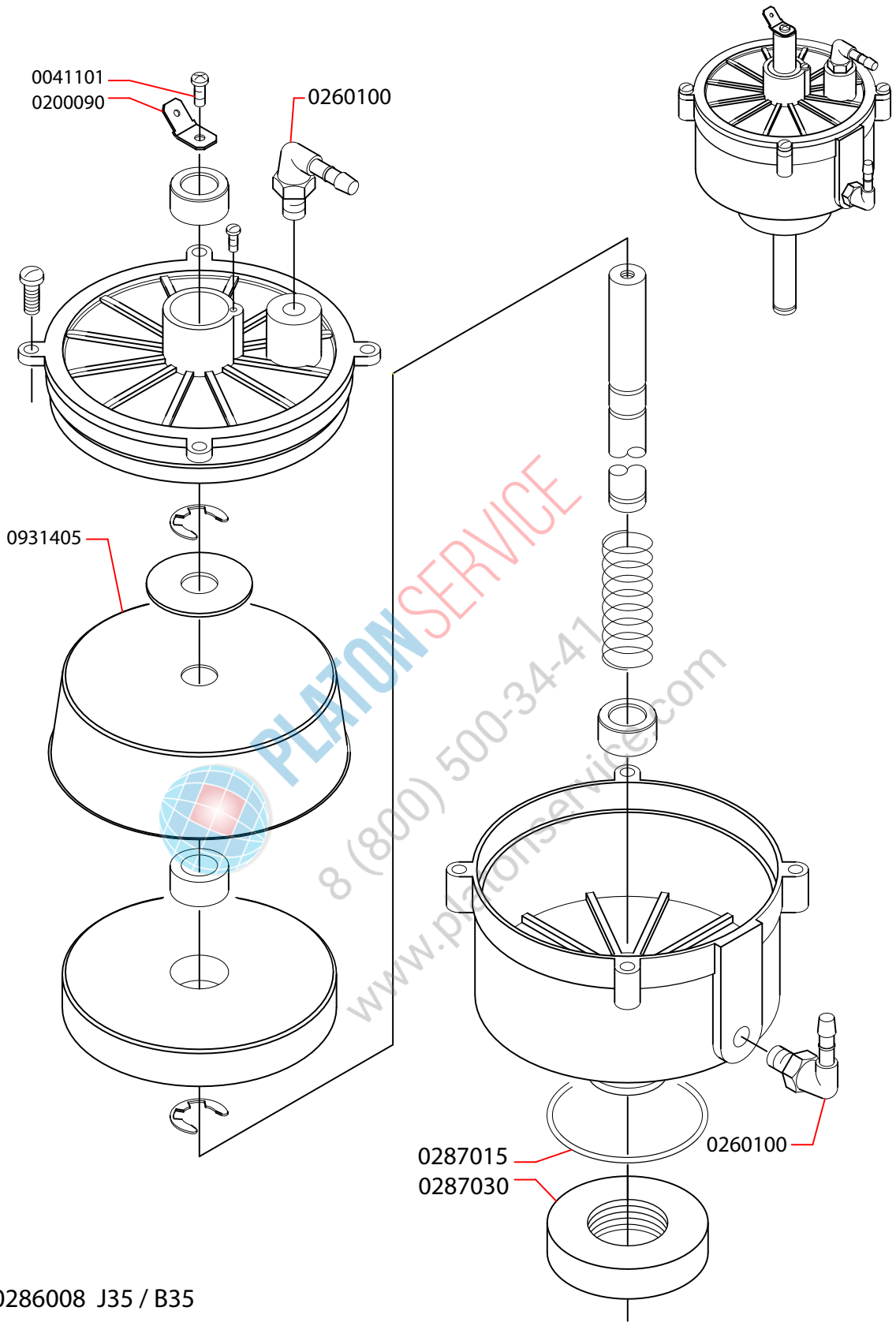
0304400
0330020(L)

0330020(R)

0381010(Jumbo 35)
0381015(Jumbo 42)




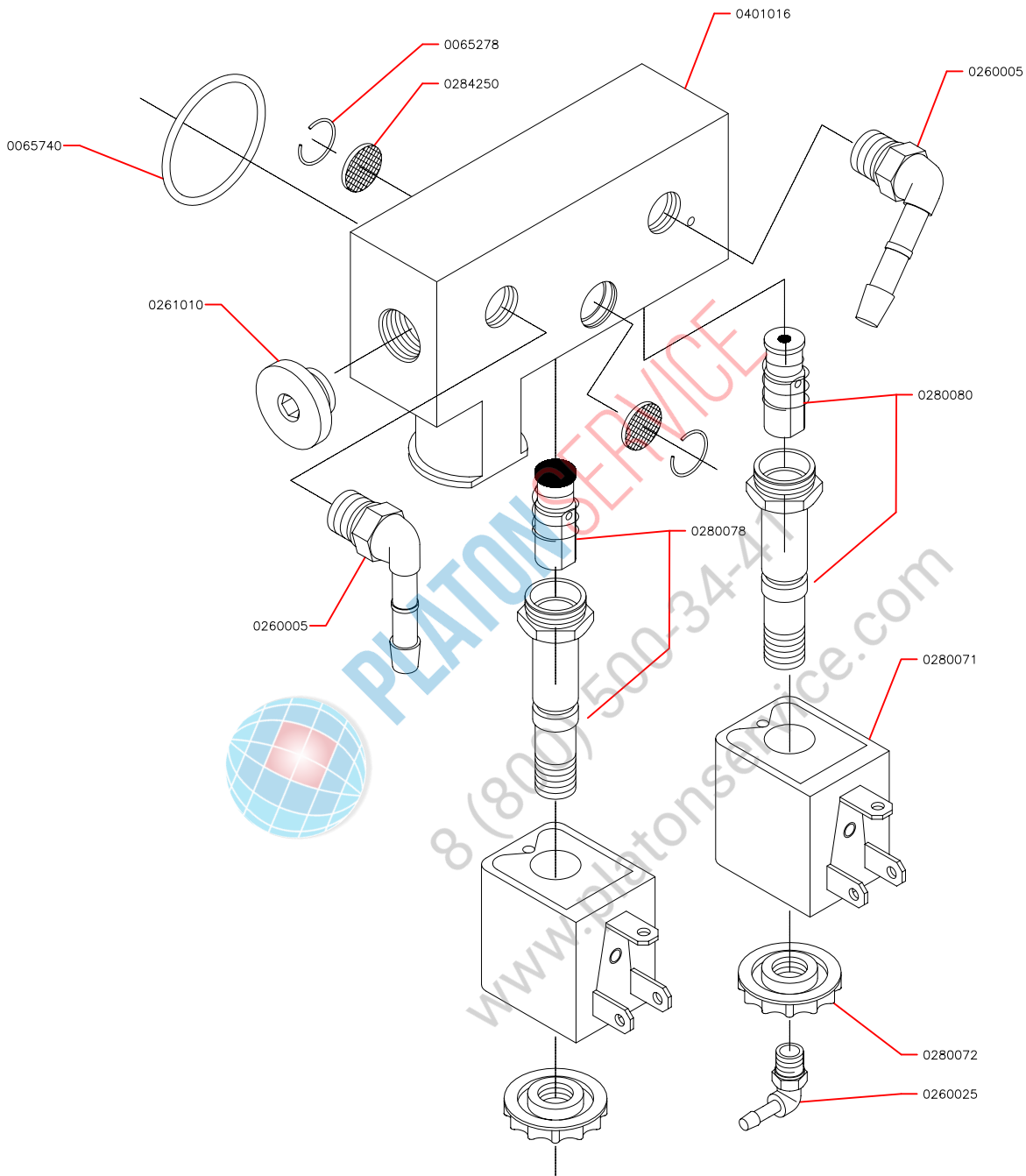
Scale:	Name:
Date: Dec 2004	Exploded View
Drawn by: MD	Seal bar Jumbo 35 & 42
	HENKELMAN B.V. P.O. box 2117 5202 CC s-Hertogenbosch Tel. ++31(0)73 - 6213671 Fax ++31(0)73 - 6221318 The Netherlands
	A 4 Drawing: Page 1-1
REV. 01	
<small>Ownership explicitly reserved. Multiplication or information to third parties in any form is not permitted without written permission of the owner.</small>	

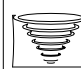
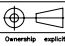


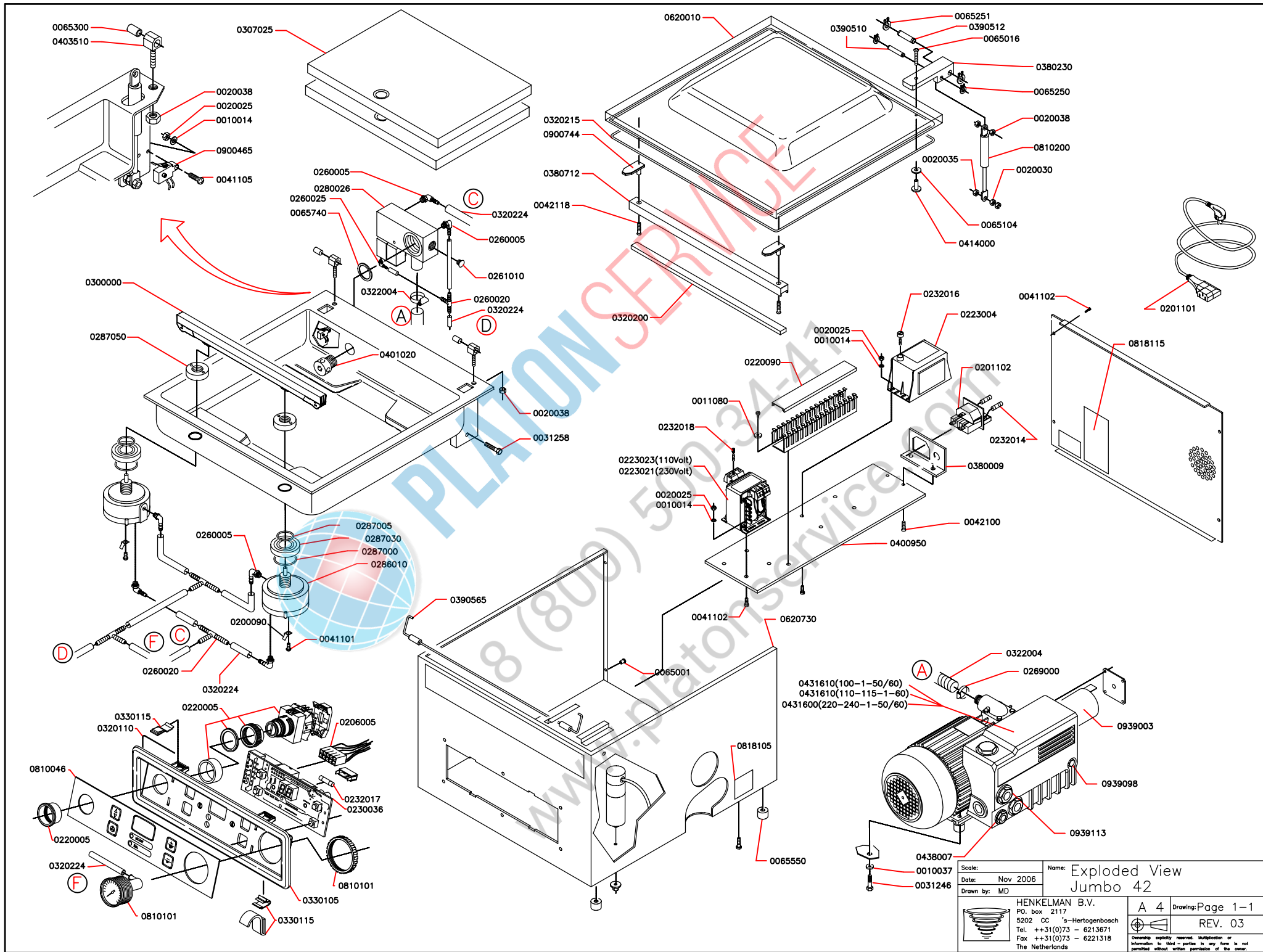
0286008 J35 / B35

0286010 J42 / B42 XL
M42 XL
M90

Scale:	Name: Exploded View
Date: April 2004	Seal cilinder Boxer 42
Drawn by: MD	A 4 Drawing: Page 1-1
 HENKELMAN B.V. PO. box 2117 5202 CC 's-Hertogenbosch Tel. ++31(0)73 - 6213671 Fax ++31(0)73 - 6221318 The Netherlands	Rev.01
	<small>Copyright, explicitly reserved. Reproduction or distribution in third parties is not permitted without written permission of the owner.</small>



Scale:	Name:	Exploded View	
Date: Dec 2004	Valve Unit Jumbo 35/42		
Drawn by: MD			
 HENKELMAN B.V. P.O. box 2117 5202 CC 's-Hertogenbosch Tel. ++31(0)73 - 6213671 Fax ++31(0)73 - 6221318 The Netherlands	A 4	Drawing: Page 1-1	
	 Rev.01 <small>Ownership explicitly reserved. Multiplication or information to third parties in any form is not permitted without written permission of the owner.</small>		



Scale:	Name: Exploded View Jumbo 42
Date: Nov 2006	
Drawn by: MD	
HENKELMAN B.V. PO. box 2117 5202 CC 's-Hertogenbosch Tel. ++31(0)73 - 6213671 Fax ++31(0)73 - 6221318 The Netherlands	A 4 Drawing: Page 1-1 REV. 03
<small>Copyrights explicitly reserved. Multiplication or information to third parties in any form is not permitted without written permission of the owner.</small>	